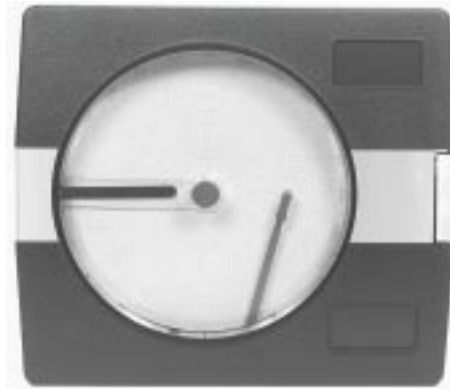


RC41

Electronic Recording Controller

- Indicating/Recording
- 0 - 2000°F Temperature Range
- 24 Hour Chart Speed
- Digital Setpoint



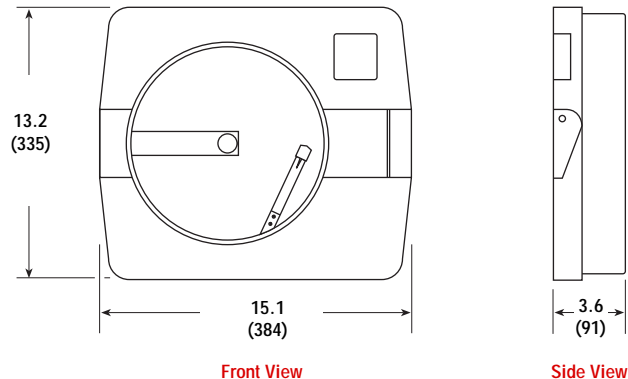
Features

- Recorded data plus accurate temperature control.
- 10" circular chart with 24 hour clock rotation.
- Enclosure (case and cover) of structural foam Noryl® resin.
- For recording only, use with controller such as Model 2104 with auxiliary output capability. Use Model 41-100-00-002-10-919 for a scale of 0-100 linear.
- For recording plus control, use J or K thermocouple input with relay output (5A Resistive 115 Vac, 2.5A Resistive 230 Vac), plus recording.

Applications

- Any process requiring time/temperature controls and/or recorded proof of any heated or cooled solid, liquid or gas.
- Controlling and recording of temperature.

Dimensions



Specifications and Ordering Information

All Dimensions in Inches (mm)

Temp. Range (°F)	Input	Output	Model	Stock	PCN	Wt. (Oz.)
0 - 100	0-5 Vdc	Recording only	41-100-000-002-10-919	S	306018	20
0 - 400	Type J TC	Recording only	41-100-000-001-10-103	S	306026	20
0 - 400	Type J TC	Relay	41-300-000-001-10-103	NS	306034	20
0 - 800	Type J TC	Relay	41-300-000-001-10-106	S	306042	20
0 - 1000	Type K TC	Relay	41-300-000-001-10-107	NS	306050	20
0 - 1200	Type K TC	Relay	41-300-000-001-10-203	NS	306069	20
0 - 2000	Type K TC	Relay	41-300-000-001-10-205	NS	306077	20

Stock Status: S = stock AS = assembly stock NS= non-stock

To Order — Specify model number, PCN, temperature range and quantity.

Note —

1. Power Requirement: 120V 60 Hz