

RC4100 Series Strip Chart Recorders

- Thermocouple, RTD, mA, mV & V Inputs
- Two Alarm Setpoints per Channel
- Four Highly Visible, Long Life Fiber Tip Pens for Clear Color Traces
- Separate Annotation Pen for Range and Time Printing
- Non-Volatile EEPROM Memory to Save Configuration Entries
- User Access to Chart Speed, Time, Date and Pen Span/Zero
- Short 9.3" (236 mm) Case for Minimum Installation Space
- Z-Fold Chart Cassette is Removable for Quick Chart Review
- Available with Configuration Software for Easy Setup
- Retransmission of Outputs to Other Instruments
- Chart Illumination

Description

The RC4100 Series recorders are compact, high quality, precision instruments which meet a wide variety of recording needs. The short case design and compact size make these recorders ideal for standard 10" cabinets and enclosures. The die-cast door and rugged metal case are built to last in the harsh environments found in many industrial settings.

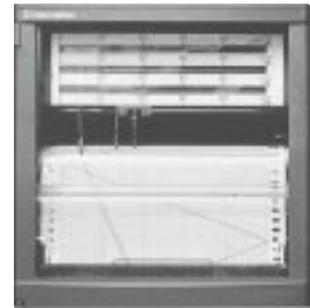
The RC4100 series recorders use new, proprietary input card technology based on a custom chip set and second order delta/sigma (Δ/Σ) converters. Signals are sampled continuously using individually isolated input amplifiers, assuring accurate, integrated values for the measured variable.

RC4101C

Model RC4101C is a single channel, z-fold recorder. It features:

- Type J thermocouple input
- 90 to 264 Vac input power
- 5 selectable chart speeds (Off, 30, 60, 120 and 300 mm/hour)
- 50 division chart paper
- Instruction manual

Contact the factory for additional options.



RC4102C

Model RC4102C is a single channel, z-fold recorder with English annotations. It features:

- 4-20 mA input with an adjustable range
- 90 to 264 Vac input power
- 5 selectable chart speeds (Off, 30, 60, 120 and 300 mm/hour)
- 50 division chart paper
- Instruction manual

Contact the factory for additional options.



RC4103C

Model RC4103C is a four channel, z-fold recorder with English annotations. It features:

- Universal sensor inputs
- Vivid 4-color display with bar graphs
- 90 to 264 Vac input power
- 5 selectable chart speeds (Off, 30, 60, 120 and 300 mm/hour)
- 50 division chart paper
- Instruction manual



RC4100

Series Strip Chart Recorders (*cont'd.*)

Thermocouple Input Specifications (RC4103C only)

T/C Type	Overall °C Range	Limits of Guaranteed Accuracy
B	0-1820	+490 to +1820
C	0-2300	+220 to +2300
E	0-1000	-160 to +1000
J	-210 to +1200	-160 to +1200
K	-270 to +1372	-180 to +1370
L	-200 to +900	-100 to +900
N	-270 to +1300	-160 to +1300
R	-50 to +1767	0 to 1765
S	-50 to +1767	0 to 1765
T	-270 to +400	-120 to +400
U	-200 to +600	-100 to +600
Ni/NiMo	0-1400	+80 to +1400
Platinel II	0-1370	+30 to +1370

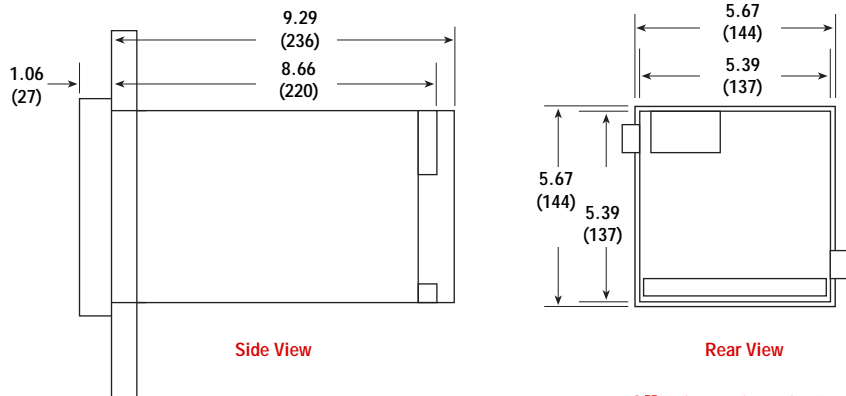
RTD Inputs Specifications (RC4103C only)

RTD Types Pt100, Pt1000, Ni100, Ni1000
Accuracy $0.01\Omega \pm 20\text{ppm}$ (typical)

Power Requirements (all Models)

Line Voltage 45-65 Hz , dc option, 90-264 Vac, 24/48 Vdc
Power (Max) 100 VA, 100W

Dimensions



All Dimensions in Inches (mm)

Ordering Information

Model	Stock	PCN
RC4101C/101Z/55000/000C/0E00/00992/P0	NS	307950
RC4102C/A01Z/55000/0000/0E00/00992/P0	NS	307969
RC4103C/D01Z/05000/00A0/EE00/00992/P00000	NS	307977

Stock Status: S = stock AS = assembly stock NS = non-stock

Peripherals