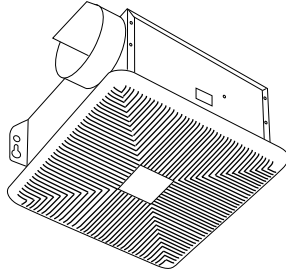


Bath Fans

Models 6060, 6080 & 6100



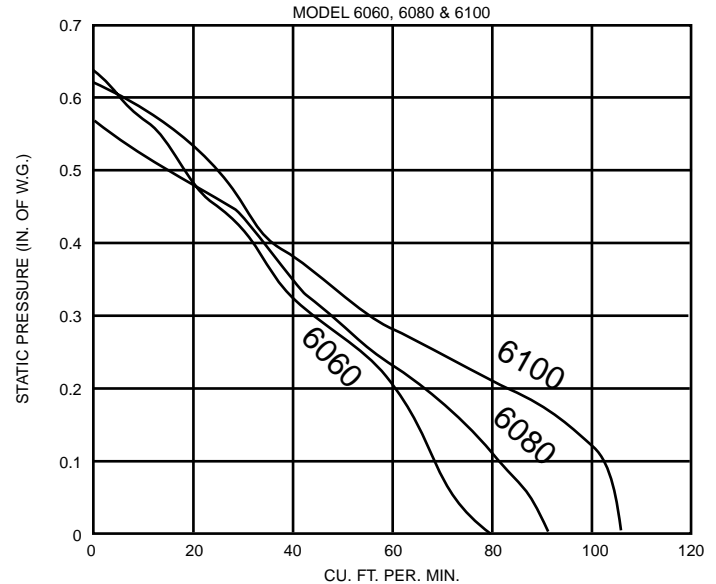
MODEL DESCRIPTION

Marley Engineered Products Models 6060, 6080 and 6100 Bath Fans are intended for use in bathrooms but can be used in other areas where ventilation is required. These three models feature efficient Marley Engineered Products designed motors combined with specially designed squirrel-cage blowers. All Bath Fans are U.L. listed type I.C. (Inherently Protected) for installation in insulated ceilings and above a bathtub or shower when connected to a U.L. listed GFCI protected branch circuit.

FEATURES

- High-styled deluxe grille provides 360° air intake for quiet and efficient operation.
- Low profile housing mounts directly to ceiling joists for easy placement in new and existing ceilings.
- 4" round discharge with automatic back draft damper.
- Easily wired with patented snap-in junction box.
- UL listed for use in tub or shower when installed on a GFI Protected circuit.
- Builder split pack available, (6000X1 Housing 6 pack, 6060X2, 6080X2 and 6100X2 single Finish Packs).

PERFORMANCE DATA



SUGGESTED SPECIFICATIONS

Fans shall bear the HVI Tested Certified Seal and the UL label. Fans shall have E.Z.C. steel housing and shall not exceed sound level rating shown. Fans shall have integral duct adapter and back draft damper. Fan grille shall provide 360° air intake. Fans shall be provided with plug-in motor and receptacle inside the housing. Motor, motor bracket and impeller assembly shall be removable without disturbing the housing. Fan motors shall be direct drive and enclosed within a quiet squirrel-cage blower. Fan housing shall have integral mounting tabs for direct mounting to ceiling joists. Bath Fans shall be from Marley Engineered Products, 470 Beauty Spot Road East, Bennettsville, SC 29512

SPECIFICATIONS

HVI CERTIFIED RATINGS



SQ. FT

MODEL	DUCT SIZE	ROUGH-IN OPENING	AMPS	CFM	SONES	BATH	OTHER
6060	4"	8 ³ / ₄ " X 8 ³ / ₄ "	1.20	60	4.0	55	75
6080	4"	8 ³ / ₄ " X 8 ³ / ₄ "	0.70	80	3.0	75	95
6100	4"	8 ³ / ₄ " X 8 ³ / ₄ "	0.70	100	4.5	95	125

REFERENCE	QTY.	REMARKS	Project
			Location
			Architect
			Engineer
			Contractor
			Submitted By
			Date

New Home Installation

1. Attach duct adapter onto housing. Press firmly to lock in place. See Fig. 2. Insure that damper opens and closes freely. The attachment of the duct may be reinforced by installing a #8AB screw through the obround hole in the duct adapter and the small hole in the housing.
2. Attach housing directly to ceiling joist using (4) screws or nails. **Non-lighted Models:** Bottom flange of housing should drop below bottom of ceiling joist a distance equal to the thickness of the sheetrock. **Lighted Models:** Bottom flange of housing should drop below bottom of ceiling joist a distance equal to the thickness of the sheetrock minus 5/16". See Fig. 3.
3. Run 120 Volt AC, 60 Hz power cable from wall switch/switches to appropriate knockout in housing. The knockout support may be reversed, if desired, to open alternate knockout hole. Use a BX or ROMEX connector in the knock-out to secure power cables to housing.
4. Remove the outlet box cover from housing. See Fig. 1. Connect cables from wall switch/switches to receptacle wires using approved wire connectors. Connect ground wire to green wire in outlet box. Replace outlet box cover insuring locking tab is engaged. See Fig. 4 for wiring diagrams. **CAUTION: Be sure all wiring complies with local and national electrical codes and housing is properly grounded.**
5. Install 4" round duct to duct adapter on housing. Insure that duct discharges the fan to the outside. Be sure nothing obstructs the discharge of the vent. Take precautions to assure that insulation does not get into duct work or fan discharge opening.
6. After sheetrock and plaster has been put up, install grille to housing by squeezing grille springs and inserting into slots in-side the housing. See Fig. 1.

WARNING: RISK OF FIRE!

Use of lamps other than those specified constitutes a fire hazard!

7. Check installation to insure that wiring has been installed properly and that no mechanical noise is present which may be caused by loose components.

Existing Home Installation

1. In attic, mark ceiling for cutout by using housing as template. Note that housing is mounted directly to ceiling joist. See Fig. 5.
2. Follow Steps 1-7 in the New Home Installation section for the remaining installation steps.

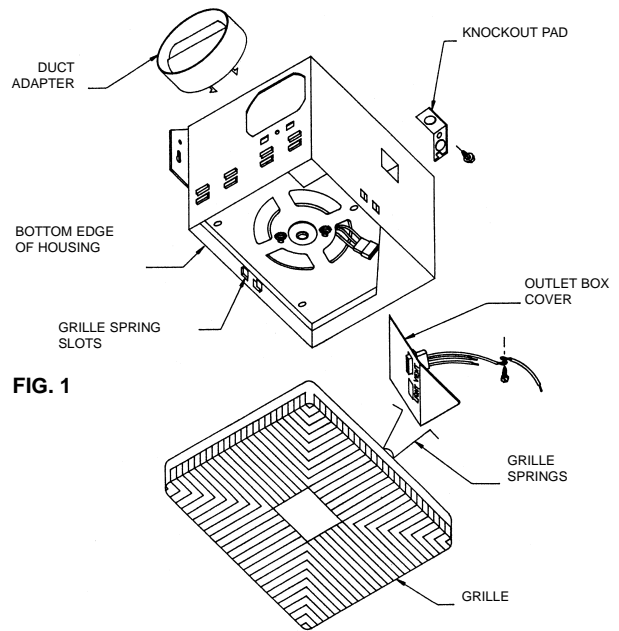


FIG. 1

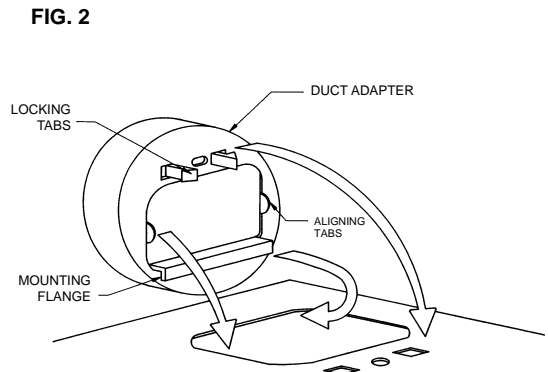


FIG. 2

FIG. 4

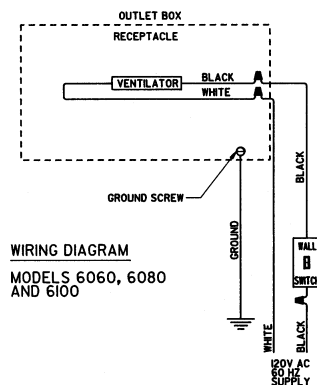
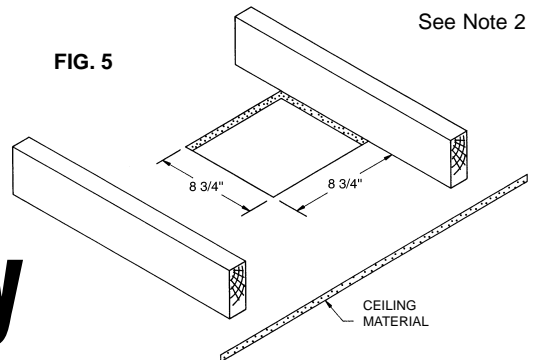
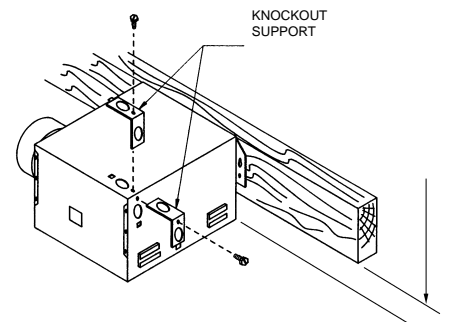


FIG. 3



SPX Corporation
470 Beauty Spot Rd. East
Bennettsville, SC 29512 USA
For more info visit www.marlymep.com