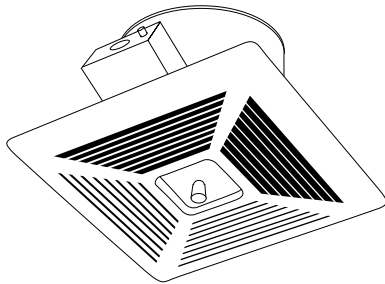


Multi-Purpose Ventilator

Models 760L



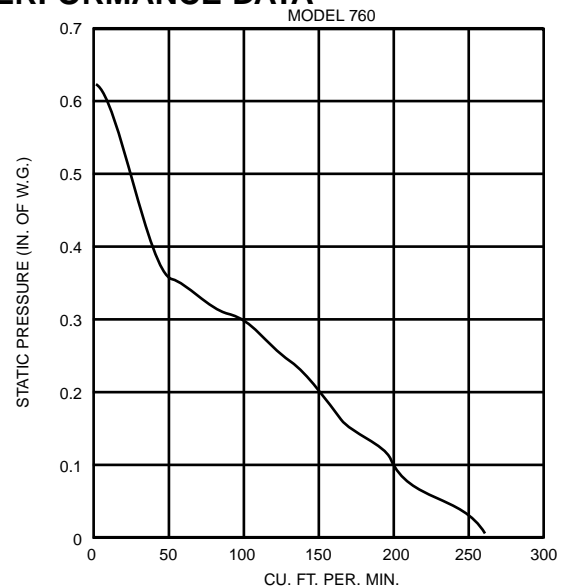
MODEL DESCRIPTION

A vertical discharge ceiling ventilator designed for tough jobs, yet with easy installation. Undesirable contaminated air is quickly and efficiently exhausted to the outdoors. May be used to ventilate large areas such as workshops, restrooms and utility rooms.

FEATURES

- Compact, one-piece housing with back draft damper.
- Vertical exhaust for discharge directly up through roof.
- Use with conventional wall switch or timer.
- Adjustable mounting brackets.
- Plug-in motor and blade assembly.

PERFORMANCE DATA



SUGGESTED SPECIFICATIONS

Marley Engineered Products Model 760L Multi-Purpose Ventilator shall bear the HVI Tested Certified Seal and the U.L. label. Grille and housings shall have a baked enamel finish to prevent corrosion. Housing shall be one-piece with integral back draft damper. Ventilators shall be provided with plug-in receptacle inside the housing. Motor, motor bracket and impeller shall be removable without disturbing the housing. Adjustable mounting brackets shall be provided for installation between joists. Multi-Purpose Ventilators shall be from Marley Engineered Products, 470 Beauty Spot Road East, Bennettsville, SC 29512



SPECIFICATIONS

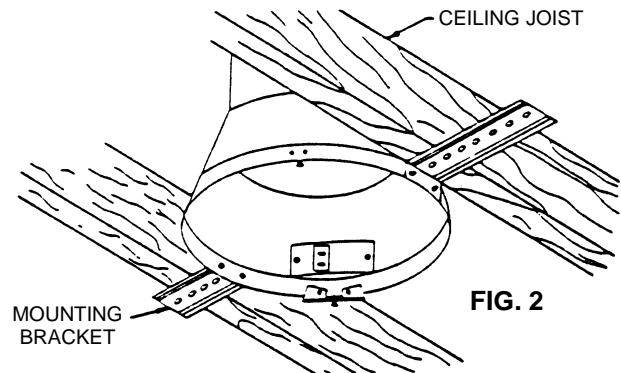
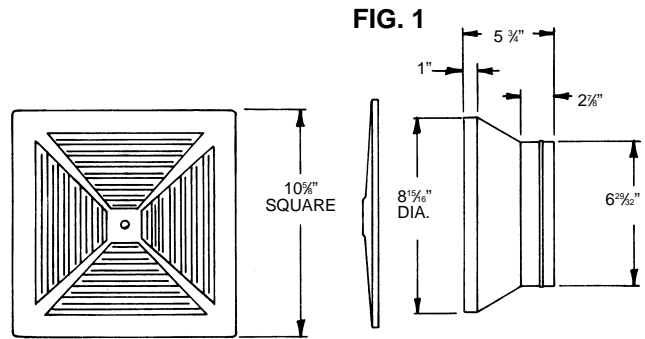
HVI CERTIFIED RATINGS

MODEL	DUCT SIZE	ROUGH-IN OPENING	SQUARE FEET		AMPS	CFM	SONES
			KITCHEN	OTHER			
760L	7"	9" DIA.	100	250	1.1	200	5.5

REFERENCE	QTY.	REMARKS	Project
			Location
			Architect
			Engineer
			Contractor
			Submitted By
			Date

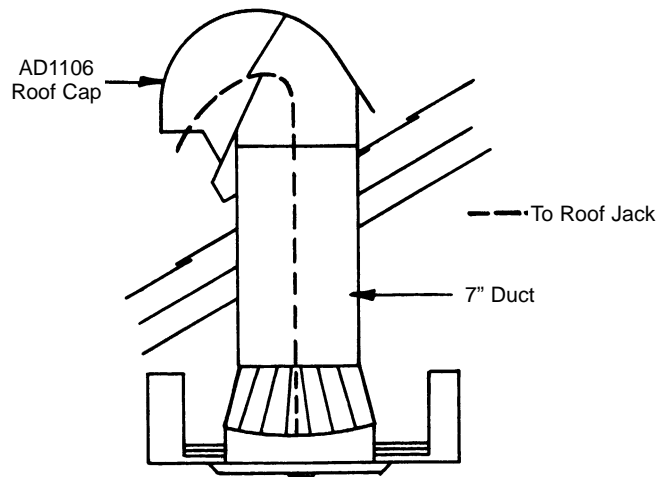
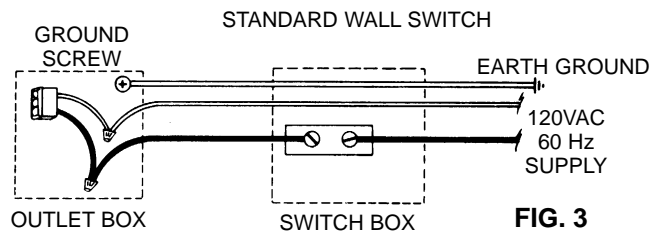
INSTALLATION INSTRUCTIONS

1. Provide round hole $9\frac{1}{8}$ " in diameter.
2. Attach brackets to sleeve with screws provided in brackets. Nail or screw brackets to joists. See Fig. 2.
3. Adjust sleeve so that flange will be flush with the finished ceiling.
4. Pull power cable through outlet box opening. Attach cable to outlet box, using an approved connector. Splice cable to receptacle leads in outlet box cover. Ground wire may be attached to grounding bolt in outlet box. Power line should run to switch box holding toggle, or Model 1011A Marley timer. See Fig. 3.
5. Push outlet box and outlet cover into place and fasten with screws.
6. Install motor blade assembly by engaging keyhole slots over screws in ventilator. Then twist and tighten, making sure that blade is centered in sleeve. The motor mounting studs act as a vernier adjustment. If the blade strikes in line with the motor bracket, the opposite nut can be tightened to compensate. Be sure power is off, then insert plug into receptacle.
7. Attach grille with knob.
8. Finish installation by adding sufficient 7" pipe to go through the roof and installing a Marley Model 1118 Roof Jack. See Fig. 4.



INSTALLATION IN EXISTING HOMES

1. Determine location of ventilator. Check ceiling for joists and obstructions.
2. Draw a circle $9\frac{1}{8}$ " in diameter at determined location. Be sure opening is at least 1" from joist.
3. Carefully saw opening in plaster. Remove just enough insulation to allow sleeve to pass through.
4. After attaching mounting brackets to sleeve, nail or screw brackets to joists, or simply support sleeve by resting mounting brackets on lath or other ceiling material.
5. Adjust sleeve so that flange is flush with finished ceiling.
6. Pull power cable through outlet box opening. Attach cable to outlet box, using an approved connector. Splice cable to receptacle leads in outlet box cover. Ground wire may be attached to grounding bolt in outlet box. Power line should be run to switch box holding toggle or for more efficient operation, a Model 1011A Marley timer. See Fig. 3.
7. Push outlet box and outlet cover into place and fasten with screws.
8. Install motor blade assembly by engaging keyhole slots over screws in ventilator. Then twist and tighten, making sure that blade is centered in sleeve. The motor mounting studs act as a vernier adjustment. If the blade strikes in line with the motor bracket, the opposite nut can be tightened to compensate. Be sure power is off, then insert plug into receptacle.
9. Attach grille with knob.
10. Finish installation by adding sufficient 7" pipe to go through the roof and installing a Marley Model 1118 Roof Jack. See Fig. 4.



470 Beauty Spot Road East,
Bennettsville, SC 29512
For more info visit www.marleymep.com