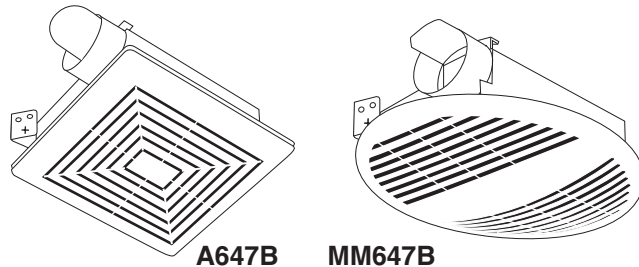


Bath Fans

Models A647B & MM647B



A647B MM647B

MODEL DESCRIPTION

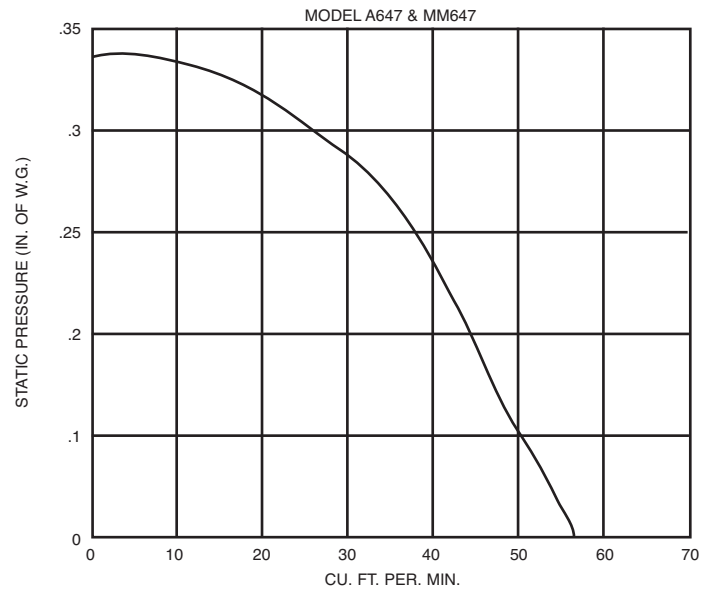
Models A647B and MM647B for removing odors and damaging moisture from the bathroom offers the ultimate combination of economy and an innovative Patent-Pending Quick-Mount installation system. The Quick-Mount tabs hold and position integral mounting screws. Models A647B and MM647B are intended for use in bathrooms but can be used in other areas where ventilation is required. Both models may be installed in side walls or cathedral ceilings when 3-7/8" minimum space is available.

FEATURES

- Patent-Pending quick mount installation system holds and positions mounting screws (included) in place while housing is being installed.
- Patented "Snap-in" outlet box and reversible knock pad.
- Plug-in motor with sturdy polypropylene impeller.
- Pre-assembled 3" duct adapter with back draft damper.
- Choice of 2-low profile spring mounted High-Impact styrene grilles.
- cULus Listed IC for use in insulated ceiling.
- cULus Listed for use over a tub or shower when wired on a cULus Listed GFI protected circuit.
- HVI 2100 certified.
- Builder split-packs (separate housing and finishing packs) available. Models A647B x 1 housing pack and A647B x 2 or MM647B x 2 finish packs.

SPECIFICATIONS

PERFORMANCE DATA



SUGGESTED SPECIFICATIONS

Marley Engineered Products fans shall bear the HVI Tested Certified Seal and the UL label. Fans shall have E.Z.C. steel housings with quick mount tabs and integral screws and shall not exceed sound level ratings shown. Fans shall have integral duct adapter and back draft damper. Fans lens shall be made of high impact polystyrene. Fans shall be provided with plug-in motor and receptacle inside the housing. Motor, motor bracket and impeller assembly shall be removable without disturbing the housing. Fan motors shall be direct drive and suitably grounded. Bath Fans shall be from Marley Engineered Products, 470 Beauty Spot Road East, Bennettsville, SC 29512



HVI CERTIFIED RATINGS

SQ. FT

MODEL	DUCT SIZE	ROUGH-IN OPENING	AMPS	CFM	SONES	BATH	OTHER
A647	3"	6-7/8" X 7-7/8"	0.89	50	4.5	45	65
MM647	3"	6-7/8" X 7-7/8"	0.89	50	4.5	45	65

REFERENCE	QTY.	REMARKS	Project
			Location
			Architect
			Engineer
			Contractor
			Submitted By
			Date

INSTALLATION INSTRUCTIONS

1. Attach duct adapter to housing by first engaging flange on housing, then pivot and align two locking tabs with small rectangular holes. (See Fig. 2) Press tabs firmly into holes to lock.

NOTE: The attachment of the duct adapter to the housing may be reinforced if desired, by installing a #8AB screw through the obround hole in the duct adapter and the small round hole in the housing.

2. Attach housing to joist with screws or nails. Housing is stamped to show a line at C/v" for standard sheetrock and plaster and C/, for drywall. (See Fig. 3).

There are two tabs opposite each mounting bracket to provide additional support. If the unit is mounted for C/, clearance, the smaller tab remains in place. If mounted for C/v" clearance, the smaller tab is bent out of the way to expose the larger tab,

3. Run 12VAC, 60Hz power leads from wall switch or Model 1011 timer to appropriate knockout in housing. Use a BX or Romex connector on outlet box.

NOTE: The knockout support may be reversed if desired, to open alternate knockout hole and cover the unused hole. (See Fig. 3). If both holes are to be used, simply remove knockout.

4. Remove outlet box cover by pulling downward while simultaneously pushing in side of cover at indicated point to release locking tab. Connect wire from wall switch to motor wires using approved wire connectors — white to white, black to black. Remove grounding clip and insert ground wire. (See Fig. 4). Push or tap clip into notch in housing. Cut off excess ground wire. Replace outlet box cover insuring locking tab is engaged.
5. Run three-inch round duct from ventilator air discharge outlet to wall cap or roof jack.

IMPORTANT: BE SURE NOTHING OBSTRUCTS THE DISCHARGE OF THE FAN. TAKE PRECAUTIONS TO ENSURE THAT INSULATION DOES NOT GET INTO THE DUCT WORK OR FAN DISCHARGE OPENING.

6. Squeeze springs and insert into tabs located in housing. See Fig. 1. Press grille firmly in place.

INSTALLATION IN EXISTING HOMES

1. Review "New Home Installation" above and follow all instructions where applicable.
2. Refer to wiring diagram for wiring.
3. Determine proposed location of ventilator, remembering that the housing must be installed next to a joist.
4. Drill a small hole in ceiling in proposed location, then locate this hole in the attic.
5. In the attic, position housing against ceiling joist and over drilled hole. Using the housing as a template mark ceiling for cutout. Make cutout on this outline.
6. Remainder of the installation is the same as steps 1 thru 6 under "New Home Installation" above. Any cracks between housing and ceiling may be plastered or caulked.

FIG. 1

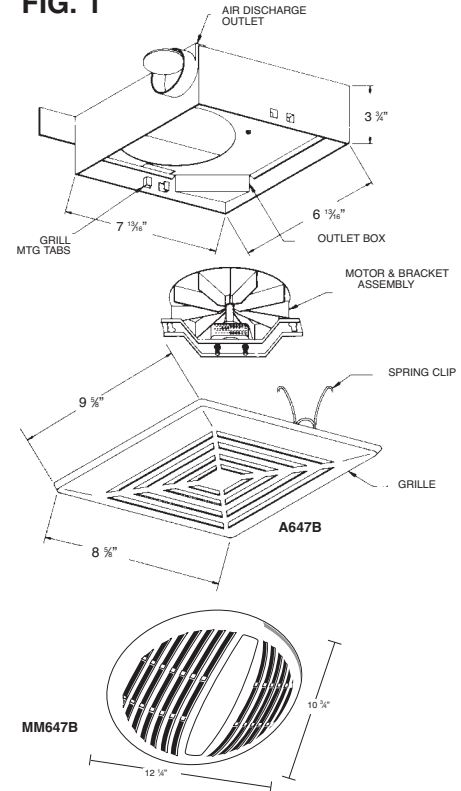


FIG. 2

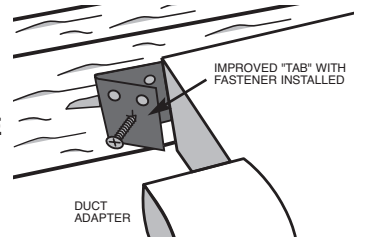


FIG. 3

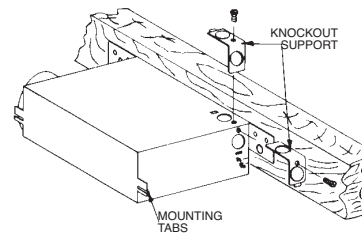
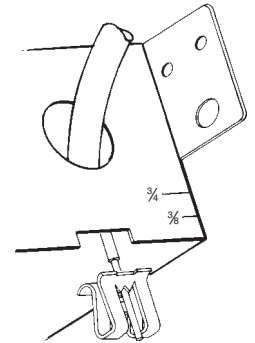


FIG. 4



470 Beauty Spot Road East,
Bennettsville, SC 29512
For more info visit www.marleymep.com