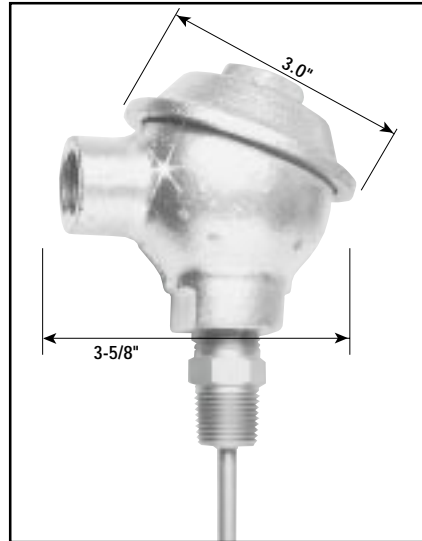


NB

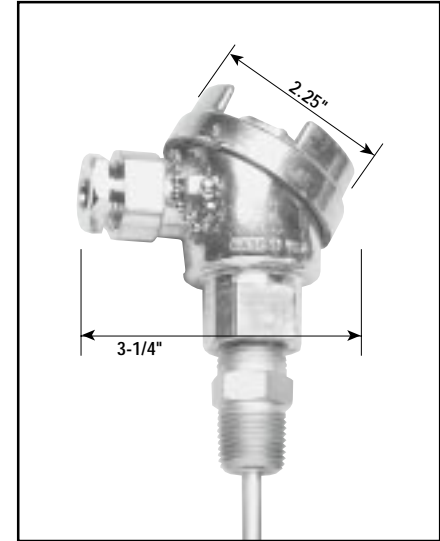
Thermocouples with Connection Head

- NB1 — Cast Iron Protection Head with Internal Terminal Block
- NB2 — Miniature Aluminum Head, Screw Cover and Chain Design with Internal Terminal Block
- NB3 — Aluminum Head, Convenient Snap-Lock Design with Internal Terminal Block
- NB4 — Subminiature Aluminum Head with Internal Terminal Block
- Nema 4 and Nema 7 Heads also Available
- 1/2" NPT Mounting Thread
- 6, 12, and 18" Lengths Standard
- Available with PFA Teflon® Coating
- NB1 and NB3 Probes Available with Two Wire Transmitters
- Custom Lengths Available
- Mineral Insulated Probe

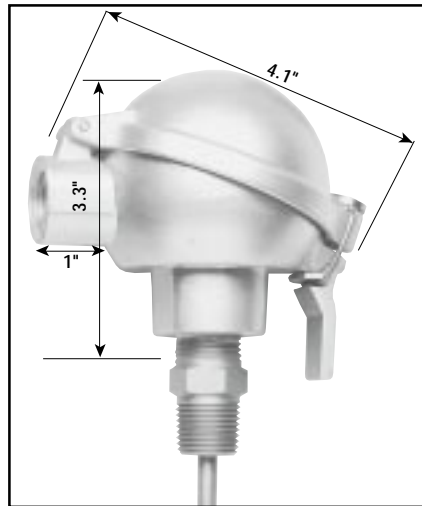
NB1 — Cast Iron



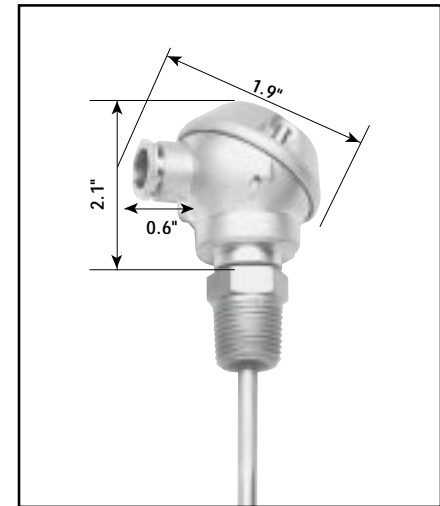
NB2 — Aluminum w/Screw Cover & Chain



NB3 — Aluminum w/Snap-Lock



NB4 — Subminiature Aluminum



In Stock:

Model	PCN
NB3-ICSS-14U-6/C	308347
NB3-ICSS-14U-12/C	308355
NB3-ICSS-14U-18/C	308363
NB3-CASS-14U-6/C	308494
NB3-CASS-14G-12/C	327353
NB3-CASS-14U-12/C	308507
NB3-CASS-14U-18/C	308515
NB3-ICSS-18G-12/C	327310
NB3-ICSS-18U-12/C	327329
NB3-CASS-18G-12/C	327337
NB3-CASS-18U-12/C	327345

Part Number Breakdown

NB3 - ICSS - 116U - 12/C
 Head TC Type Probe OD length of probe

Teflon® is a registered trademark of DuPont.

Specifications and Ordering Information

Thermocouple Alloy	Sheath Dia. (In.)	Junction		
		Grounded	Ungrounded	Exposed
Iron-Constantan J 304 SS Sheath	1/16	NB(1)-ICSS-116G-12/C	NB(1)-ICSS-116U-12/C	NB(1)-ICSS-116E-12/C
	1/8	NB(1)-ICSS-18G-12/C	NB(1)-ICSS-18U-12/C	NB(1)-ICSS-18E-12/C
	3/16	NB(1)-ICSS-316G-12/C	NB(1)-ICSS-316U-12/C	NB(1)-ICSS-316E-12/C
	1/4	NB(1)-ICSS-14G-12/C	NB(1)-ICSS-14U-12/C	NB(1)-ICSS-14E-12/C
Chromel-Alumel K 304 SS Sheath	1/16	NB(1)-CASS-116G-12/C	NB(1)-CASS-116U-12/C	NB(1)-CASS-116E-12/C
	1/8	NB(1)-CASS-18G-12/C	NB(1)-CASS-18U-12/C	NB(1)-CASS-18E-12/C
	3/16	NB(1)-CASS-316G-12/C	NB(1)-CASS-316U-12/C	NB(1)-CASS-316E-12/C
	1/4	NB(1)-CASS-14G-12/C	NB(1)-CASS-14U-12/C	NB(1)-CASS-14E-12/C
Chromel-Constantan E 304 SS Sheath	1/16	NB(1)-CXSS-116G-12/C	NB(1)-CXSS-116U-12/C	NB(1)-CXSS-116E-12/C
	1/8	NB(1)-CXSS-18G-12/C	NB(1)-CXSS-18U-12/C	NB(1)-CXSS-18E-12/C
	3/16	NB(1)-CXSS-316G-12/C	NB(1)-CXSS-316U-12/C	NB(1)-CXSS-316E-12/C
	1/4	NB(1)-CXSS-14G-12/C	NB(1)-CXSS-14U-12/C	NB(1)-CXSS-14E-12/C
Copper-Constantan T 304 SS Sheath	1/16	NB(1)-CPSS-116G-12/C	NB(1)-CPSS-116U-12/C	NB(1)-CPSS-116E-12/C
	1/8	NB(1)-CPSS-18G-12/C	NB(1)-CPSS-18U-12/C	NB(1)-CPSS-18E-12/C
	3/16	NB(1)-CPSS-316G-12/C	NB(1)-CPSS-316U-12/C	NB(1)-CPSS-316E-12/C
	1/4	NB(1)-CPSS-14G-12/C	NB(1)-CPSS-14U-12/C	NB(1)-CPSS-14E-12/C

1. Insert the number 1, 2, 3 or 4 for NB1, NB2, NB3 and NB4 heads, respectively. To order probes with lengths other than 12", change the last two digits of the model number from 12" to the desired length in inches.
2. To Specify Spring Loaded add "TBSL"
3. For Thermowell, see Models 260S, 260L