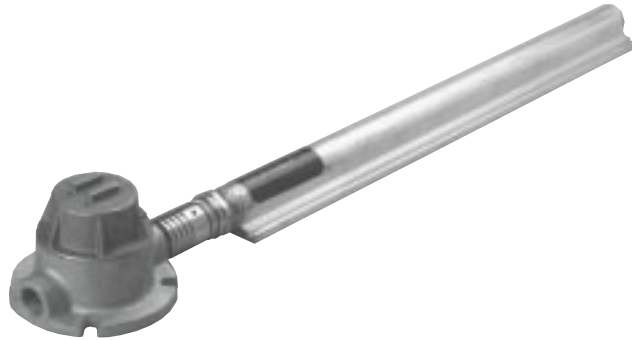


AEPS

Explosion-Proof Strip Heater



- 32-3/4 - 128-3/4" Lengths
- 110 - 1,100 Watts
- 120, 208, 240, 277 and 480 Volt

Applications

For coal, ore, resins and other bulk handling equipment.

Explosion-Proof Applications — (NEC Class II, Group E, F, G and Class I, Group C and D) chemical and petrochemical plants, tanks, large pipes, control cabinets, resin material handling equipment, aggregate and other bulk raw material processors.

Features

UL Listed for use in Division I, Class I, Groups B, C, D; Class II, Groups E, F and G hazardous locations.

Freeze Protection — Particularly effective when installed at the mouth of the mine where warm moist air and coal or ore are first exposed to cold outside air, causing condensation and subsequent freezing at temperatures below 32°F. Conveyor heaters prevent such freezing, keep the conveyors in uninterrupted operation.

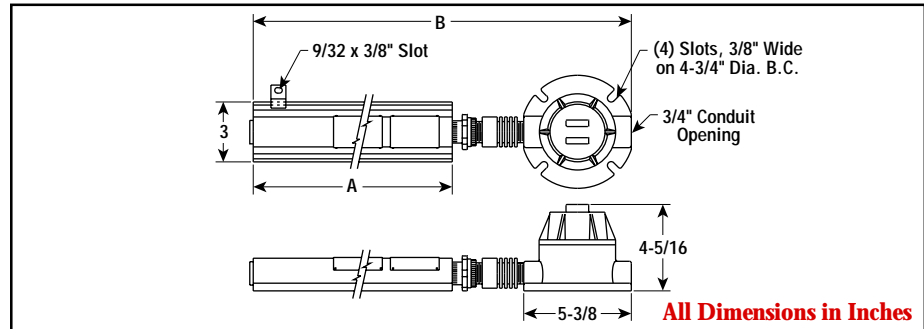
Easy System Start-Up in freezing weather.

Keeps Resins and Process Liquids Free-Flowing regardless of ambient temperature.

Long Life Operation — Heaters, inserted into solid aluminum body, resist physical damage from rough handling and/or contact with process material (Patented design).

Mounting — Channel in extrusion facilitates mounting to any surface. Clamps are supplied or bolt holes can be drilled through extrusion plate.

Dimensions



Specifications and Ordering Information

Dimensions (In.)		Watts	Volts	Model	Stock	PCN	Wt. (Lbs.)
A	B						
Temp. Code T3C (for Class I, Div. 1, Groups B, C, D; Class II, Div. 1, Groups E, F, G)							
24	32-3/4	110	120	AEPS-024-110-458	NS	235002	24
36	44-3/4	165	120	AEPS-036-165-458	NS	235010	27.2
36	44-3/4	165	240	AEPS-036-165-458	NS	235029	27.2
48	56-3/4	220	120	AEPS-048-220-458	NS	235037	30.6
48	56-3/4	220	240	AEPS-048-220-458	NS	235045	30.6
60	68-3/4	275	120	AEPS-060-275-458	NS	235053	34
60	68-3/4	275	240	AEPS-060-275-458	NS	235061	34
72	80-3/4	330	120	AEPS-072-330-458	NS	235070	37.4
72	80-3/4	330	240	AEPS-072-330-458	NS	235088	37.4
84	92-3/4	385	208	AEPS-084-385-458	NS	235096	40.9
84	92-3/4	385	240	AEPS-084-385-458	NS	235109	40.9
84	92-3/4	385	480	AEPS-084-385-458	NS	235117	40.9
96	104-3/4	439	208	AEPS-096-439-458	NS	235125	44.3
96	104-3/4	439	240	AEPS-096-439-458	NS	235133	44.3
96	104-3/4	439	480	AEPS-096-439-458	NS	235141	44.3
108	116-3/4	494	208	AEPS-108-494-458	NS	235150	47.8
108	116-3/4	494	240	AEPS-108-494-458	NS	235168	47.8
108	116-3/4	494	480	AEPS-108-494-458	NS	235176	47.8
120	128-3/4	550	208	AEPS-120-550-458	NS	235184	50.9
120	128-3/4	550	240	AEPS-120-550-458	NS	235192	50.9
120	128-3/4	550	480	AEPS-120-550-458	NS	235205	50.9
Temp. Code T3 (for Class I, Div. 1, Groups B, C, D)							
24	32-3/4	220	120	AEPS-024-220-917	NS	235213	24
24	32-3/4	220	240	AEPS-024-220-917	NS	235221	24
36	44-3/4	330	120	AEPS-036-330-917	NS	235230	27.2
36	44-3/4	330	240	AEPS-036-330-917	NS	235248	27.2
48	56-3/4	440	120	AEPS-048-440-917	NS	235256	30.6
48	56-3/4	440	240	AEPS-048-440-917	NS	235264	30.6
60	68-3/4	550	208	AEPS-060-550-917	NS	235272	34
60	68-3/4	550	240	AEPS-060-550-917	NS	235280	34
72	80-3/4	660	208	AEPS-072-660-917	NS	235299	37.4
72	80-3/4	660	240	AEPS-072-660-917	NS	235301	37.4
84	92-3/4	770	208	AEPS-084-770-917	NS	235310	40.9
84	92-3/4	770	240	AEPS-084-770-917	NS	235328	40.9
96	104-3/4	880	240	AEPS-096-880-917	NS	235336	44.3
96	104-3/4	880	480	AEPS-096-880-917	NS	235344	44.3
108	116-3/4	990	277	AEPS-108-990-917	NS	235352	47.8
108	116-3/4	990	480	AEPS-108-990-917	NS	235360	47.8
120	128-3/4	1,100	277	AEPS-120-1100-917	NS	235379	50.9
120	128-3/4	1,100	480	AEPS-120-1100-917	NS	235387	50.9

Stock Status: S = stock AS = assembly stock NS = non-stock
To Order—Specify model, PCN, watts, volts and quantity.