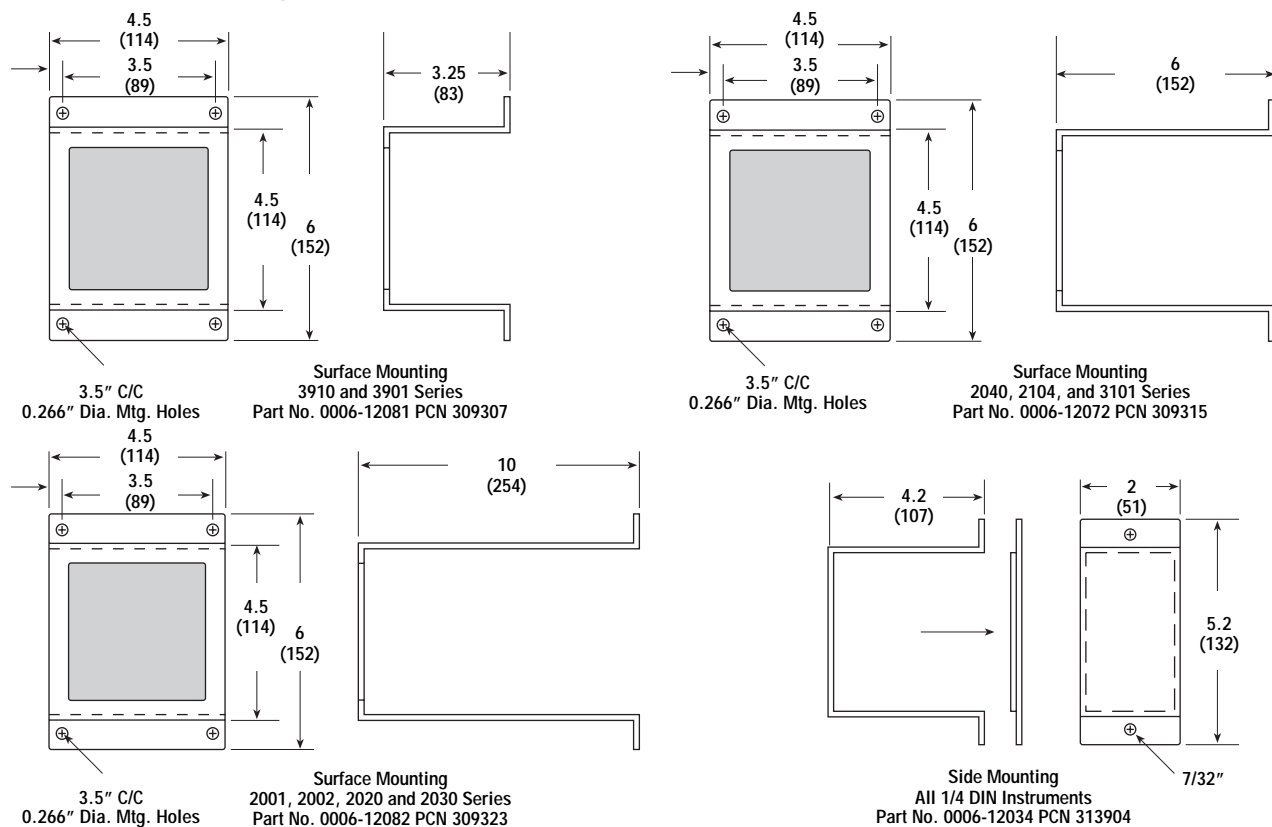


1/4 DIN Accessories

1/4 DIN Mounting Brackets



Splash Guard Instrument Cover



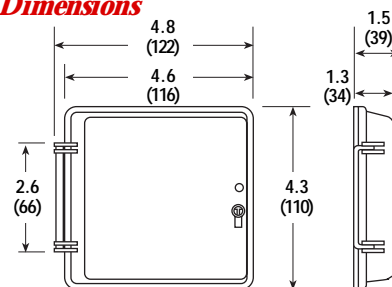
Protects 1/4 DIN Panel Mounted Instruments Against:

- Mechanical Damage
- Unauthorized Operation
- Dust and Splashwater

Features

- High impact strength, high temperature plastic
- Heat Resistant up to 266°F (130°C)
- Protection to DIN 40050, dust-tight and splashproof IP54
- Supplied with 2 keys
- Use with models 3901, 3910, 2001, 2002, 2020, 2030 and 2040

Dimensions



Front View Side View
All Dimensions in Inches (mm)
Note: Controllers not included.

Ordering Information

| Description | Part Number | PCN |
|--------------|-------------|--------|
| Splash-Guard | 0148-00012 | 314421 |

Super Splash Guard Instrument Cover Model 0076-12034

NEMA 4 Protection

Protects Two 1/4 DIN Panel Mounted Instruments Against:

- Mechanical Damage
- Unauthorized Operation
- Dust and Splashwater

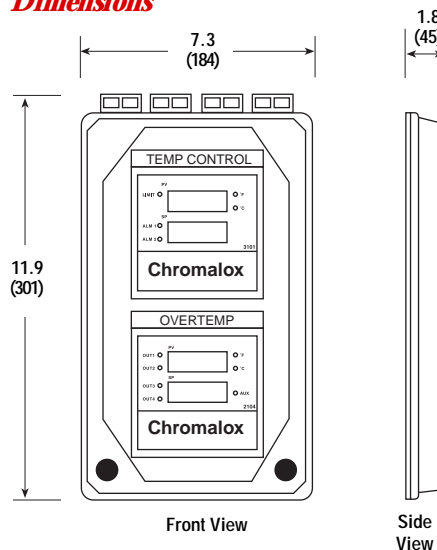
Features

- High impact strength, high temperature plastic
- Heat Resistant up to 266°F (130°C)
- NEMA 4 Protection
- Supplied with 2 keys

Ordering Information

| Description | Part Number | PCN |
|--------------|-------------|--------|
| Splash-Guard | 0076-12034 | 321939 |

Dimensions



All Dimensions in Inches (mm)

Note: Controllers not included.

Super Splash Guard Instrument Cover Model 0076-12035

NEMA 4 Protection

Protects Panel Mounted Instruments Against:

- Mechanical Damage
- Unauthorized Operation
- Dust and Splashwater

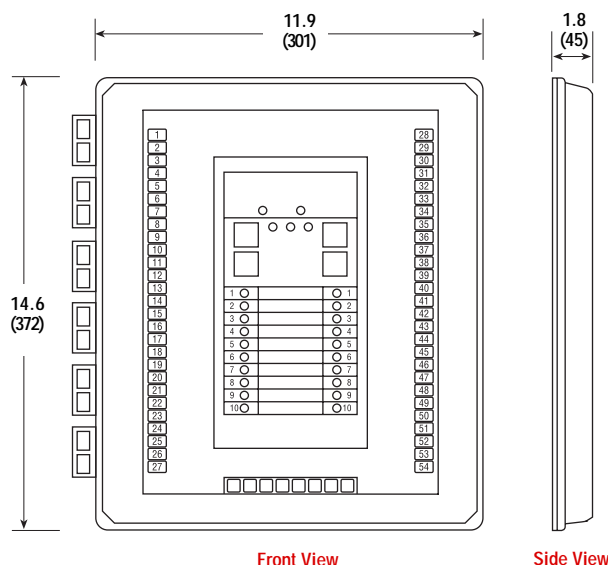
Features

- High impact strength, high temperature plastic
- Heat Resistant up to 266°F (130°C)
- NEMA 4 Protection

Ordering Information

| Description | Part Number | PCN |
|--------------|-------------|--------|
| Splash-Guard | 0076-12035 | 321947 |

Dimensions



All Dimensions in Inches (mm)

Note: Controllers not included.

1/8 & 1/16 DIN Mounting Adapter Kits

- Convert 1/4 DIN Mounting Hole Cutouts
- Pre-drilled, Easy to Install
- 4 Screws and Nuts Included

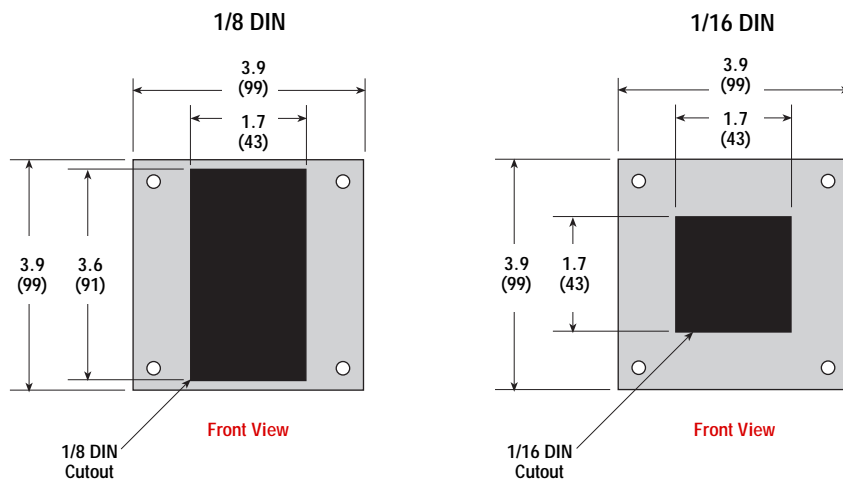
Description

The 1/8 and 1/16 DIN Mounting Adaptor Kits allow you to easily convert an existing 1/4 DIN panel cutout for mounting an 1/8 or 1/16 DIN instrument.

Ordering Information

| Description | Part Number | PCN |
|--------------------------------------|-------------|--------|
| 1/4 to 1/8 DIN Mounting Adapter Kit | 0006-12136 | 306931 |
| 1/4 to 1/16 DIN Mounting Adapter Kit | 0006-12137 | 306923 |

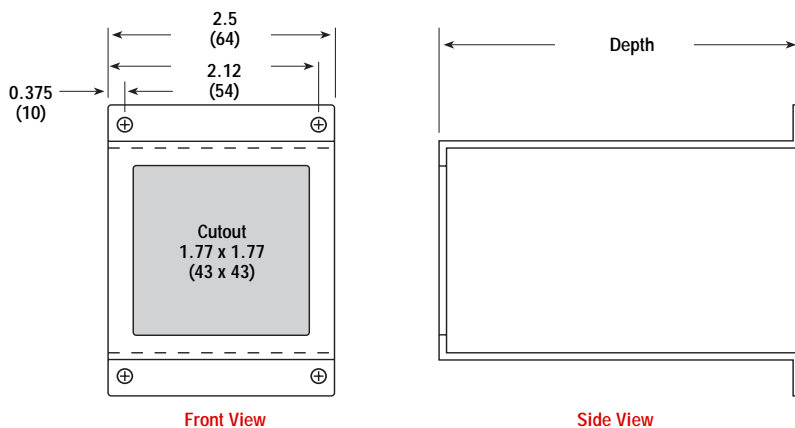
Dimensions



All Dimensions in Inches (mm)

1/16 DIN Surface Mounting Brackets

Dimensions



Side View

All Dimensions in Inches (mm)

Ordering Information

| Description | Depth (In, mm) | Part Number | PCN |
|---|----------------|-------------|--------|
| Models 1600, 1601 and 1603 Surface Mounting Bracket | 4.38 (111) | 0006-12155 | 305200 |
| Models 1604 and 1605 Surface Mounting Bracket | 5.13 (130) | 0006-12154 | 305218 |



ENC4 Series

Instrument Enclosures

- **NEMA 4, 4X**
- **High Impact Thermoplastic Body and Cover**
- **Hinged Swing-Out Panel on 2 Models**
- **Pre-drilled Back Panel on 1 Model**
- **Choice of 4 Models**

ENC4-08064

- NEMA 4, 4X Enclosure
- 8"H x 6"W x 4"D (203H x 152W x 102D)
- Hinged swing-out panel with 1 (one) 1/4 DIN cutout for mounting Chromalox 3910 or 3901 Controller*



ENC4-10106

- NEMA 4, 4X Enclosure
- 10"H x 10"W x 6"D (254H x 254W x 152D)
- Hinged swing-out panel with 2 (two) 1/4 DIN cutouts for mounting Chromalox 3910 or 3901 Controllers*



ENC4-16146

- NEMA 4, 4X Enclosure
- 16"H x 14"W x 6"D (254H x 254W x 152D)
- Back panel drilled for mounting either 3290 or 3390 Multi-Loop Controllers*



ENC4-10116

- NEMA 4, 4X Enclosure
- 10"H x 10"W x 6"D (254H x 254W x 152D)
- Hinged swing-out panel with cutouts to mount 2 (two) 1/16 DIN controllers (1600, 1601, 1603, 1604, 1605)*

Ordering Information

| ENC4 Series Enclosure Model Number | PCN |
|------------------------------------|--------|
| ENC4-08064 | 321904 |
| ENC4-10106 | 321912 |
| ENC4-16146 | 321920 |
| ENC4-10116 | 305234 |

* Note: Controllers not included and must be ordered separately.