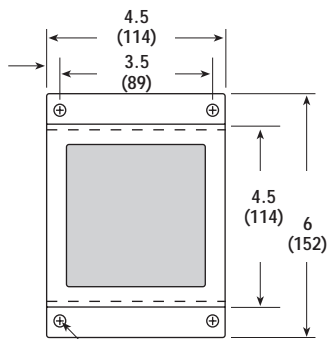
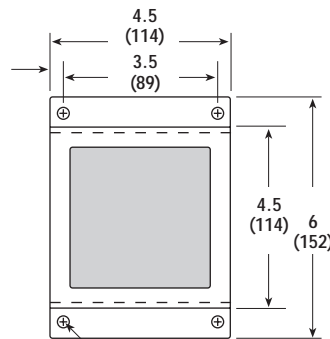


## 1/4 DIN Accessories

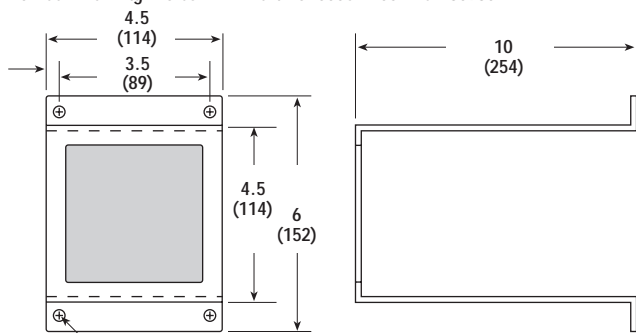
### 1/4 DIN Mounting Brackets



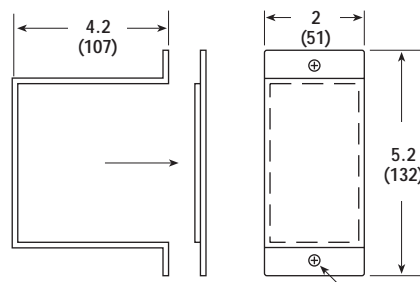
Surface Mounting  
3910 and 3901 Series  
Part No. 0006-12081 PCN 309307



Surface Mounting  
2040, 2104, and 3101 Series  
Part No. 0006-12072 PCN 309315



Surface Mounting  
2001, 2002, 2020 and 2030 Series  
Part No. 0006-12082 PCN 309323



Side Mounting  
All 1/4 DIN Instruments  
Part No. 0006-12034 PCN 313904

## Splash Guard Instrument Cover



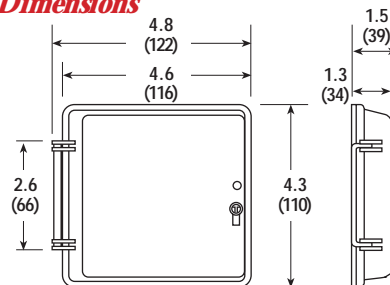
Protects 1/4 DIN Panel Mounted Instruments Against:

- Mechanical Damage
- Unauthorized Operation
- Dust and Splashwater

### Features

- High impact strength, high temperature plastic
- Heat Resistant up to 266°F (130°C)
- Protection to DIN 40050, dust-tight and splashproof IP54
- Supplied with 2 keys
- Use with models 3901, 3910, 2001, 2002, 2020, 2030 and 2040

### Dimensions



Front View

Side View

All Dimensions in Inches (mm)

Note: Controllers not included.

### Ordering Information

Description	Part Number	PCN
Splash-Guard	0148-00012	314421

## Super Splash Guard Instrument Cover Model 0076-12034

**NEMA 4 Protection**

**Protects Two 1/4 DIN Panel Mounted Instruments Against:**

- Mechanical Damage
- Unauthorized Operation
- Dust and Splashwater

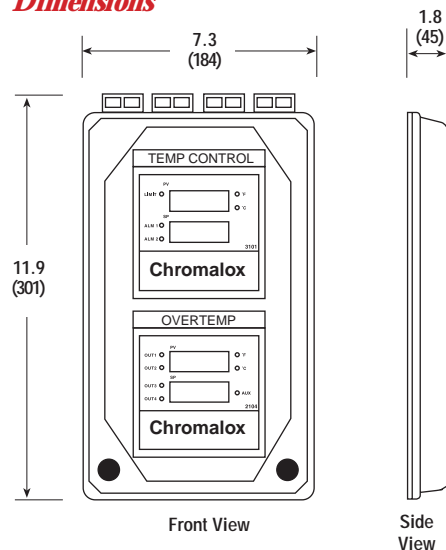
### Features

- High impact strength, high temperature plastic
- Heat Resistant up to 266°F (130°C)
- NEMA 4 Protection
- Supplied with 2 keys

### Ordering Information

Description	Part Number	PCN
Splash-Guard	0076-12034	321939

### Dimensions



**All Dimensions in Inches (mm)**

Note: Controllers not included.

## Super Splash Guard Instrument Cover Model 0076-12035

**NEMA 4 Protection**

**Protects Panel Mounted Instruments Against:**

- Mechanical Damage
- Unauthorized Operation
- Dust and Splashwater

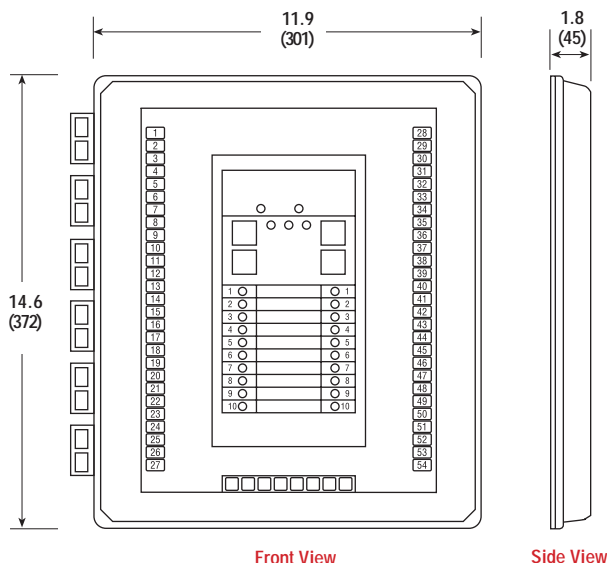
### Features

- High impact strength, high temperature plastic
- Heat Resistant up to 266°F (130°C)
- NEMA 4 Protection

### Ordering Information

Description	Part Number	PCN
Splash-Guard	0076-12035	321920

### Dimensions



**All Dimensions in Inches (mm)**

Note: Controllers not included.

## 1/8 & 1/16 DIN Mounting Adapter Kits

- Convert 1/4 DIN Mounting Hole Cutouts
- Pre-drilled, Easy to Install
- 4 Screws and Nuts Included

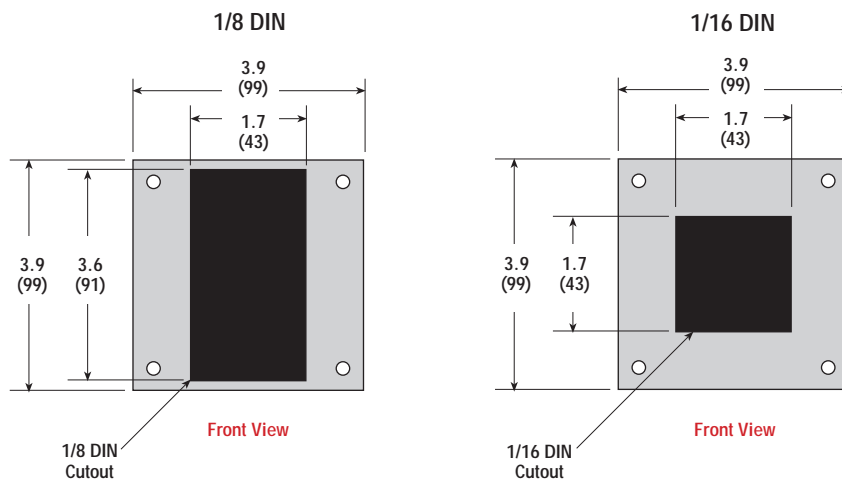
### Description

The 1/8 and 1/16 DIN Mounting Adaptor Kits allow you to easily convert an existing 1/4 DIN panel cutout for mounting an 1/8 or 1/16 DIN instrument.

### Ordering Information

Description	Part Number	PCN
1/4 to 1/8 DIN Mounting Adapter Kit	0006-12136	306931
1/4 to 1/16 DIN Mounting Adapter Kit	0006-12137	306923

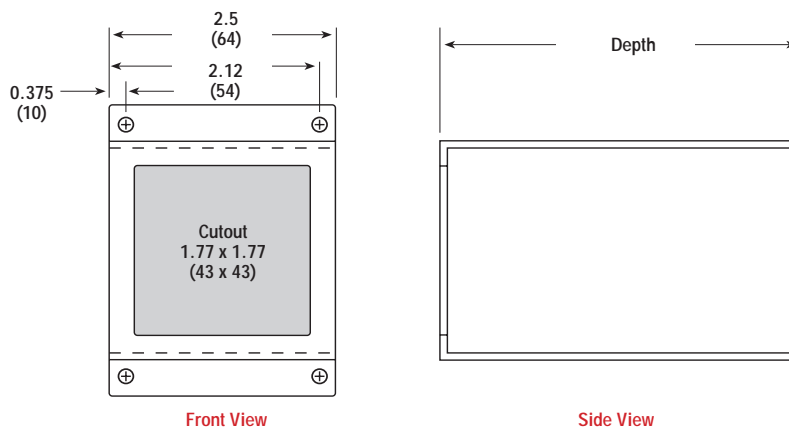
### Dimensions



All Dimensions in Inches (mm)

## 1/16 DIN Surface Mounting Brackets

### Dimensions



Side View

All Dimensions in Inches (mm)

### Ordering Information

Description	Depth (In, mm)	Part Number	PCN
Models 1600, 1601 and 1603 Surface Mounting Bracket	4.38 (111)	0006-12155	305200
Models 1604 and 1605 Surface Mounting Bracket	5.13 (130)	0006-12154	305218



## ENC4 Series Instrument Enclosures

- NEMA 4, 4X
- High Impact Thermoplastic Body and Cover
- Hinged Swing-Out Panel on 2 Models
- Pre-drilled Back Panel on 1 Model
- Choice of 4 Models

### **ENC4-08064**

- NEMA 4, 4X Enclosure
- 8"H x 6"W x 4"D (203H x 152W x 102D)
- Hinged swing-out panel with 1 (one) 1/4 DIN cutout for mounting Chromalox 3910 or 3901 Controller\*



### **ENC4-10106**

- NEMA 4, 4X Enclosure
- 10"H x 10"W x 6"D (254H x 254W x 152D)
- Hinged swing-out panel with 2 (two) 1/4 DIN cutouts for mounting Chromalox 3910 or 3901 Controllers\*



### **ENC4-16146**

- NEMA 4, 4X Enclosure
- 16"H x 14"W x 6"D (254H x 254W x 152D)
- Back panel drilled for mounting either 3290 or 3390 Multi-Loop Controllers\*



### **ENC4-10116**

- NEMA 4, 4X Enclosure
- 10"H x 10"W x 6"D (254H x 254W x 152D)

- Hinged swing-out panel with cutouts to mount 2 (two) 1/16 DIN controllers (1600, 1601, 1603, 1604, 1605)\*

### **Ordering Information**

ENC4 Series Enclosure Model Number	PCN
ENC4-08064 .....	321904
ENC4-10106 .....	321912
ENC4-16146 .....	321920
ENC4-10116 .....	305234

\* Note: Controllers not included and must be ordered separately.

